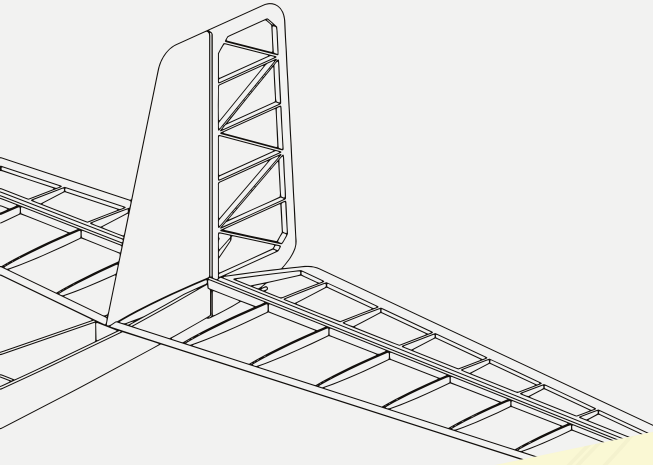


MATERIALS ENGINEERING

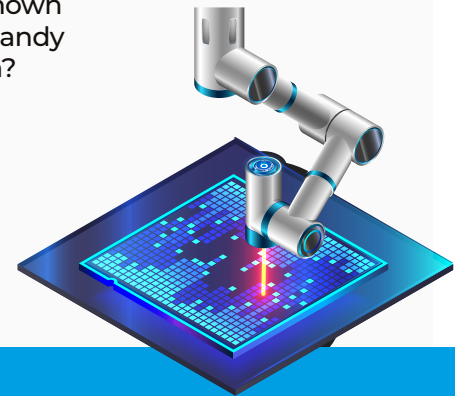
Is it for you?



Are you always looking for new ways to reduce your ecological footprint?



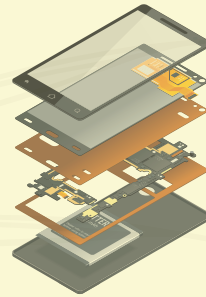
Are you known as a very handy person?



DID YOU KNOW THAT...

Quebec engineers in materials engineering use advanced materials to create ultra-light wheelchairs.

More than **90%** of all the things we use in our daily lives come from metals or minerals—a single mobile phone contains about 40 different metals.



WHAT DO THESE ENGINEERS DO?

Study, develop, improve and apply ore processing methods to extract metals such as copper, nickel, aluminum, zinc, lead, gold, iron, magnesium, etc.

Coordinate the production and control stages of metal refining, smelting and foundry operations or non-metallic mineral product manufacturing.

Analyze and improve development and manufacturing processes to reduce the operating costs and ecological footprint and ensure appropriate working conditions for employees.

Create new materials (plastics, ceramics, powders, etc.) which, once recycled, will have different properties.

Develop new production, recycling or disposal processes that are consistent with environmental protection measures.



WHERE DO THESE ENGINEERS WORK?

- Consulting engineering firms
- Metal industry
- Composites industry
- Aerospace industry
- Rail industry
- Industrial machinery manufacturing plants
- Academic institutions
- Federal and provincial governments
- Steel industry
- Copper and copper alloy rolling, casting and extruding industry
- Mining, quarrying and oil and gas extraction industries
- Testing and analytical services laboratories

AVERAGE SALARY

\$132,400

© Genium360, Compensation Survey of Engineering Employees and Graduates in Québec, 2022

QUEBEC MATERIALS ENGINEERING AT THE HEART OF INNOVATION



Sustainable aviation fuel (e-fuel) produces an alternative to fossil and reduces GHG emissions by 80% throughout the life cycle of an aircraft.



PLACE FOR YOU_s

ing Ordre des Ingénieurs du Québec



Bachelor's degree in materials engineering
4 years



ENDLESS OPPORTUNITIES IN ENGINEERING!

Learn more about materials engineering and other kinds of engineering